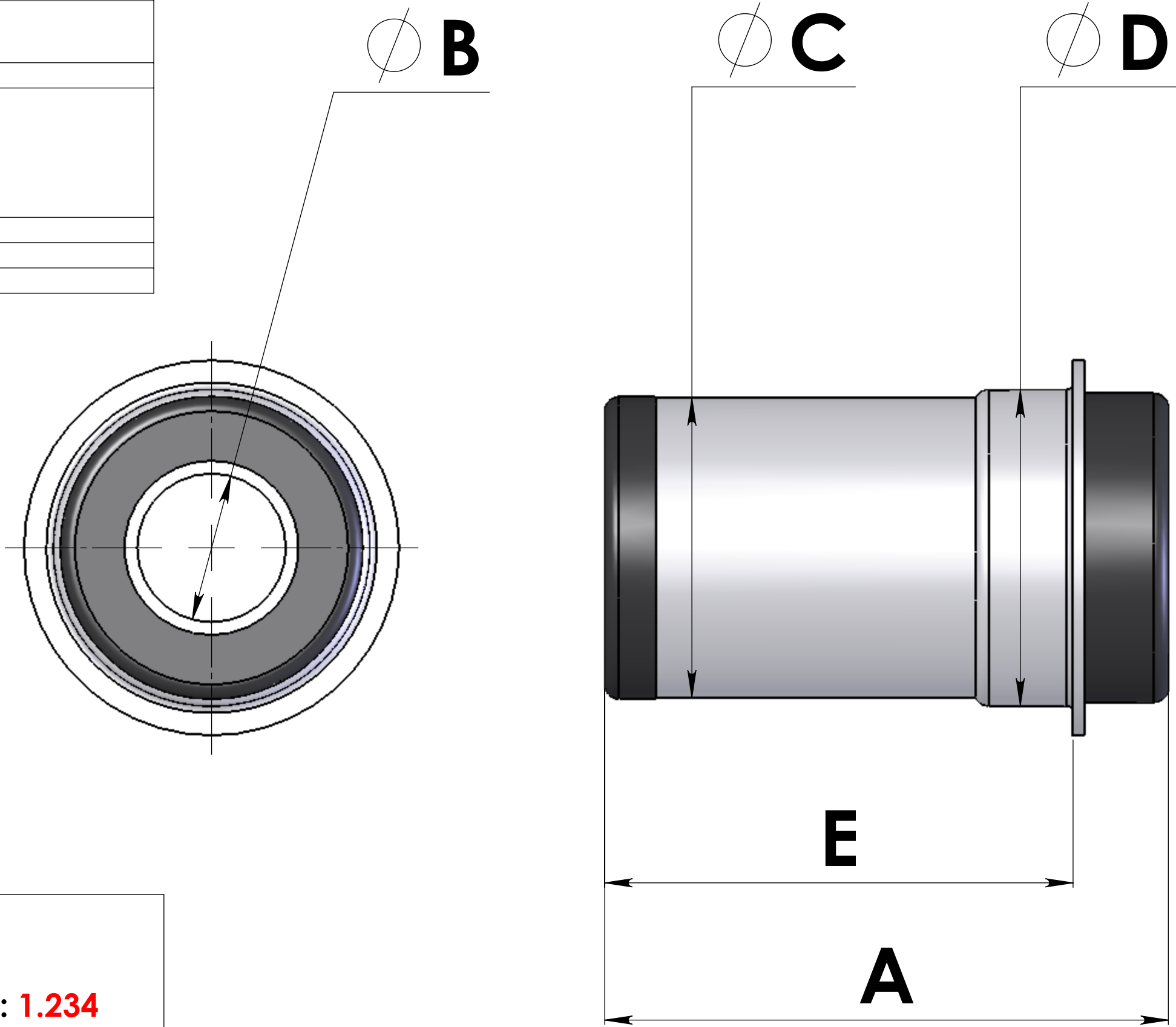
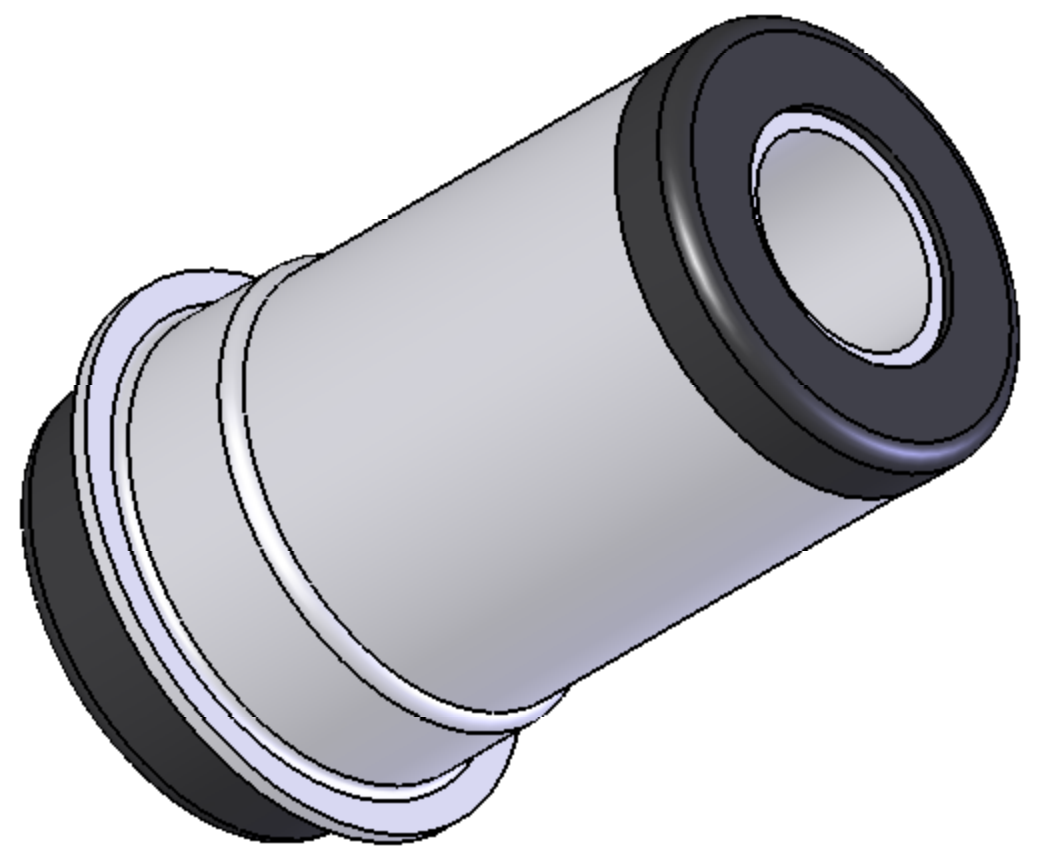


Date	
Customer #	
Business Name	
Contact	
Phone #	
Email	
Application	



Enter Dimension Values Below Using Three Decimal places	Example: <b>1.234</b>
<b>A</b>	
<b>B</b>	
<b>C</b>	
<b>D</b>	
<b>E</b>	

PROPRIETARY AND CONFIDENTIAL  
 THE INFORMATION CONTAINED IN THIS DRAWING IS THE SOLE PROPERTY OF Rare Parts Inc. ANY REPRODUCTION IN PART OR AS A WHOLE WITHOUT THE WRITTEN PERMISSION OF Rare Part Inc IS PROHIBITED.



**THE ONE SOURCE FOR SUSPENSION PARTS.**