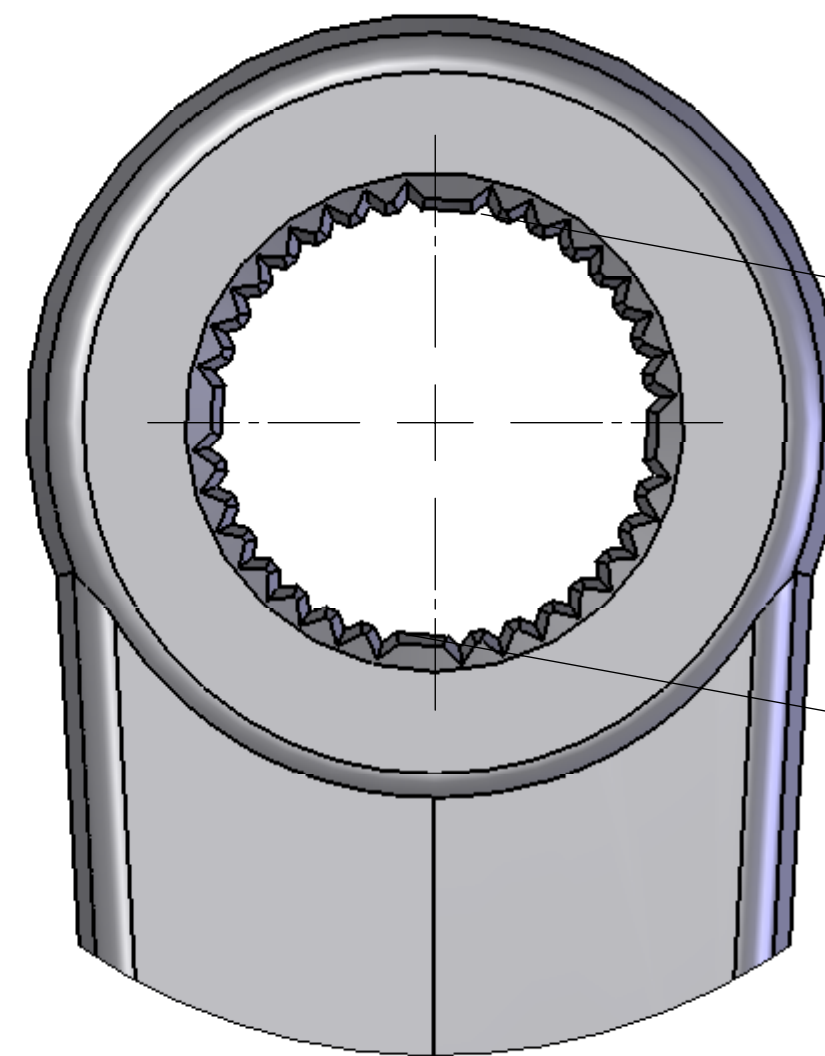
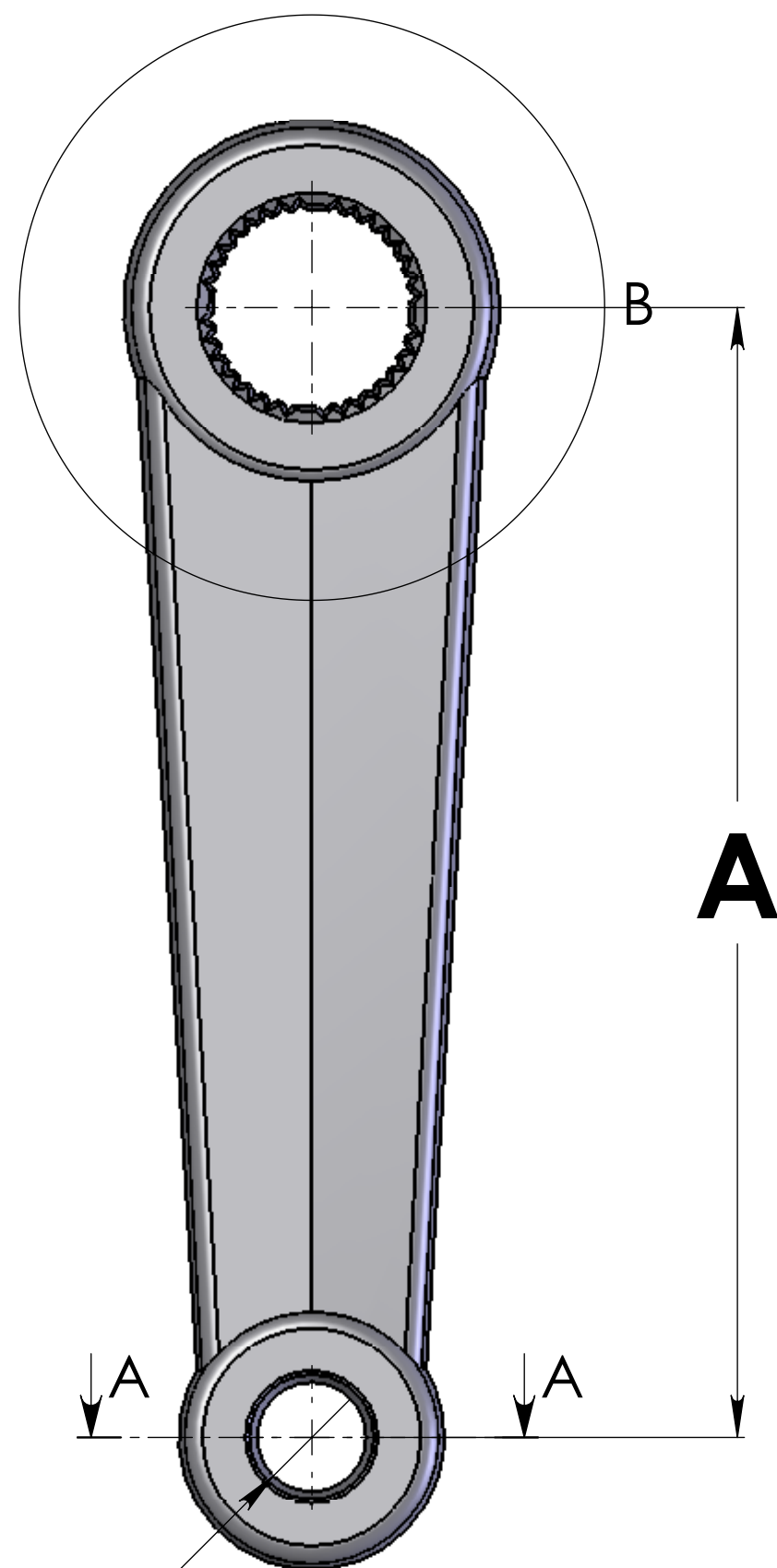
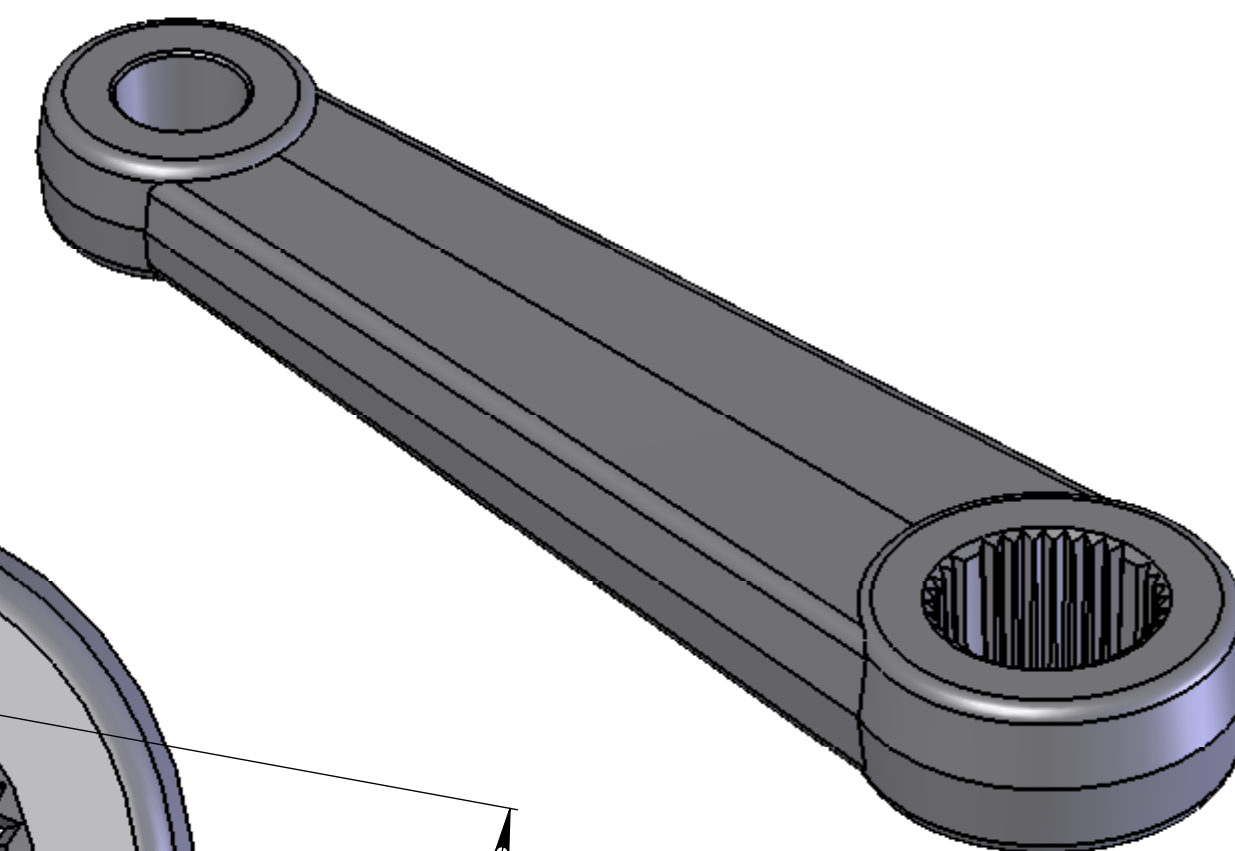


Date	
Customer #	
Business Name	
Contact	
Phone #	
Email	
Application	

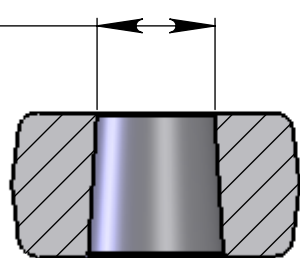


DETAIL B
SCALE 2 : 1

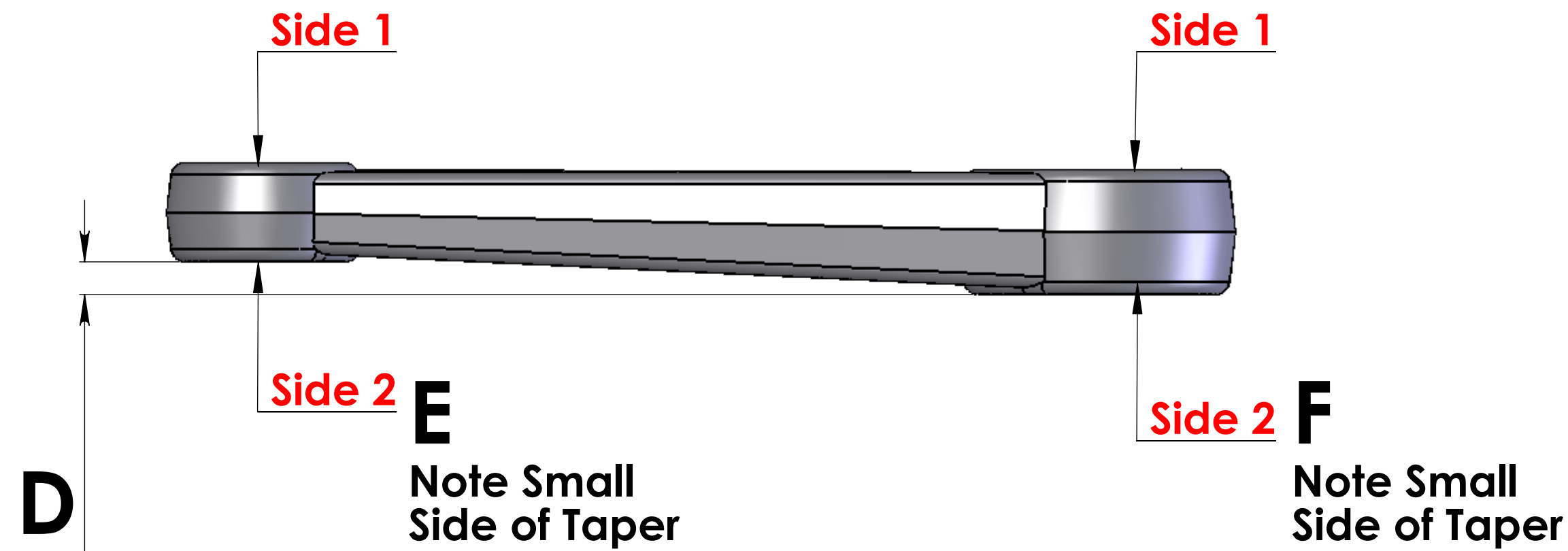
B Measure small Diameter on Small Side of Taper



Small Diameter \varnothing **C**



SECTION A-A



Side 1

Side 1

Side 2

Side 2

E
Note Small Side of Taper

F
Note Small Side of Taper

Enter Dimension Values Below Using Three Decimal places	Example: 1.234
A	
B	
C	
D	
E	Side 1 or Side 2
F	Side 1 or Side 2

PROPRIETARY AND CONFIDENTIAL
THE INFORMATION CONTAINED IN THIS DRAWING IS THE SOLE PROPERTY OF RARE PARTS INC. ANY REPRODUCTION IN PART OR AS A WHOLE WITHOUT THE WRITTEN PERMISSION OF RARE PARTS INC. IS PROHIBITED.



THE ONE SOURCE FOR SUSPENSION PARTS.