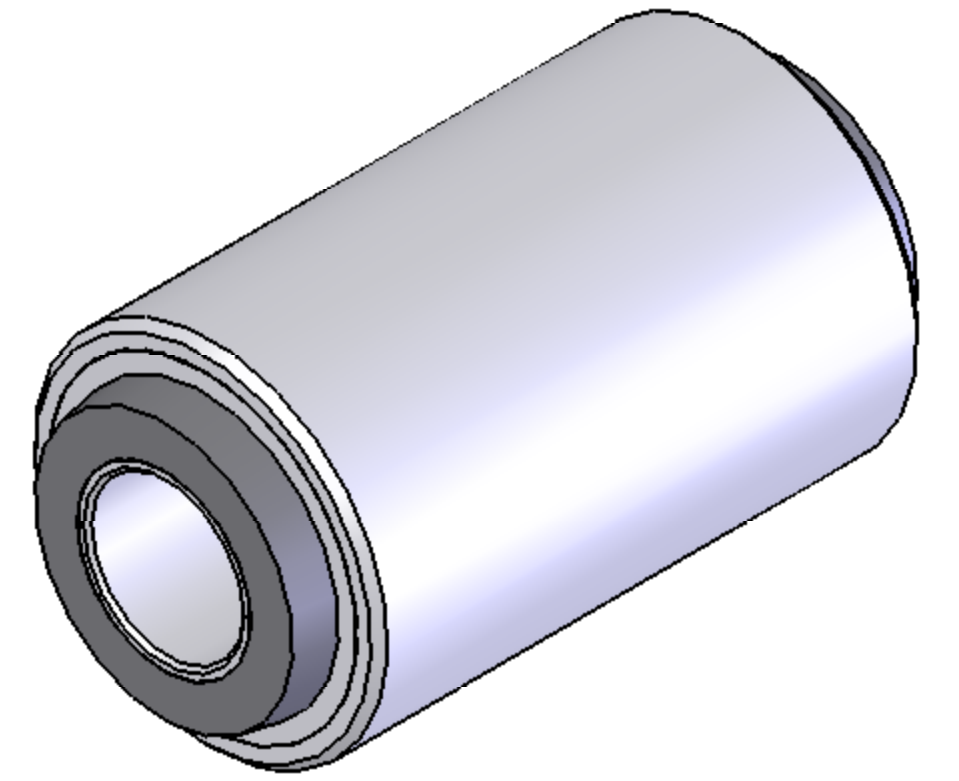
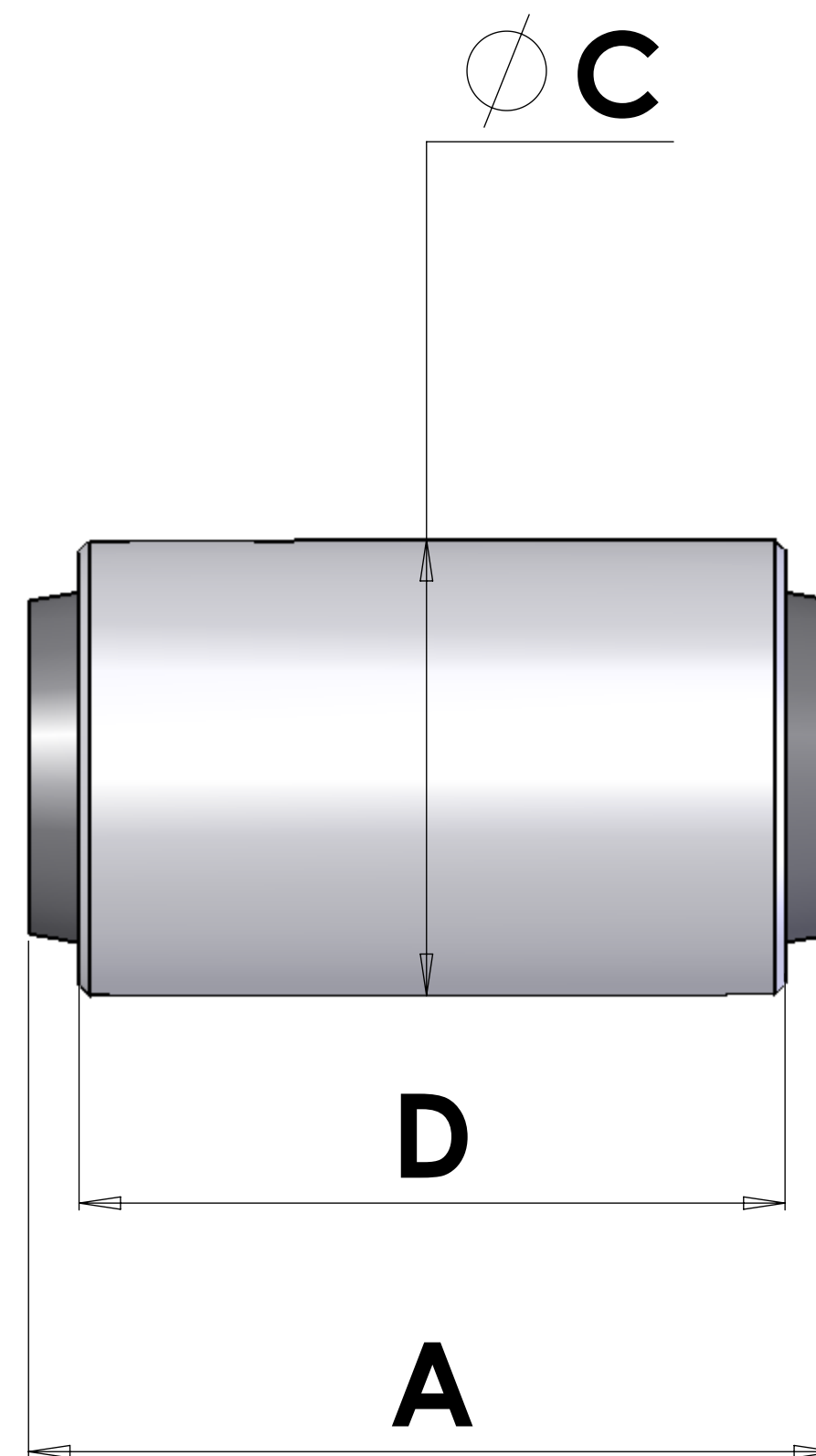
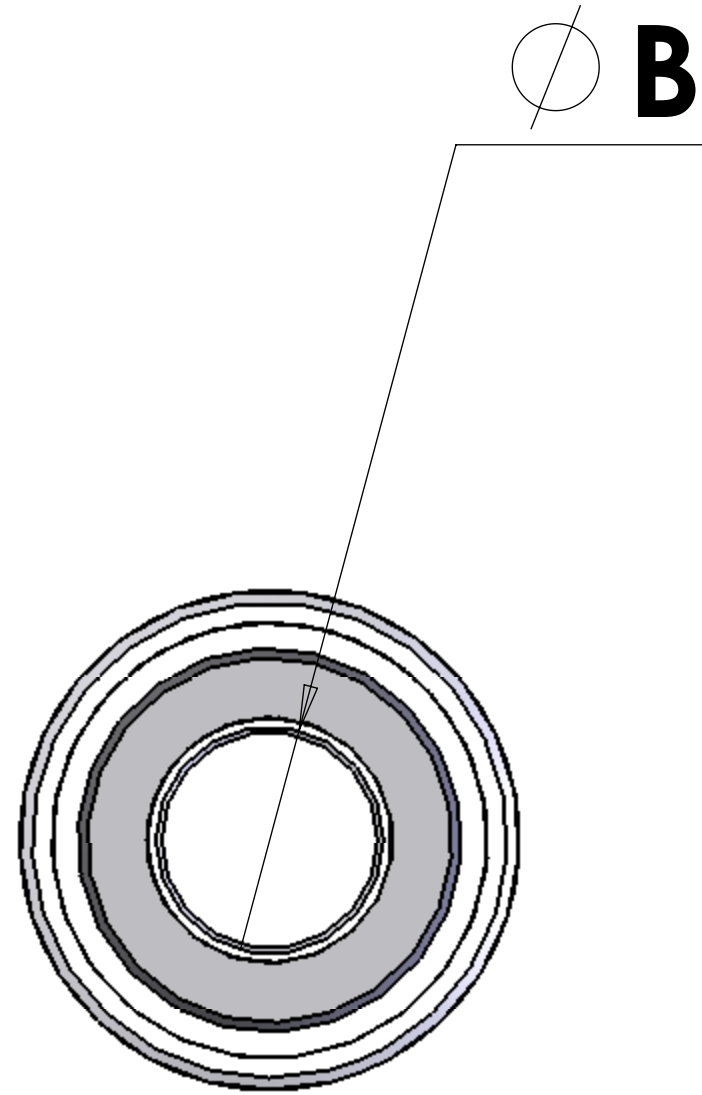


Date	
Customer #	
Business Name	
Contact	
Phone #	
Email	
Application	



Enter Dimension Values Below Using Three Decimal places	Example: 1.234
A	
B	
C	
D	

PROPRIETARY AND CONFIDENTIAL
THE INFORMATION CONTAINED IN THIS
DRAWING IS THE SOLE PROPERTY OF
<INSERT COMPANY NAME HERE>. ANY
REPRODUCTION IN PART OR AS A WHOLE
WITHOUT THE WRITTEN PERMISSION OF
<INSERT COMPANY NAME HERE> IS
PROHIBITED.



THE ONE SOURCE FOR SUSPENSION PARTS.