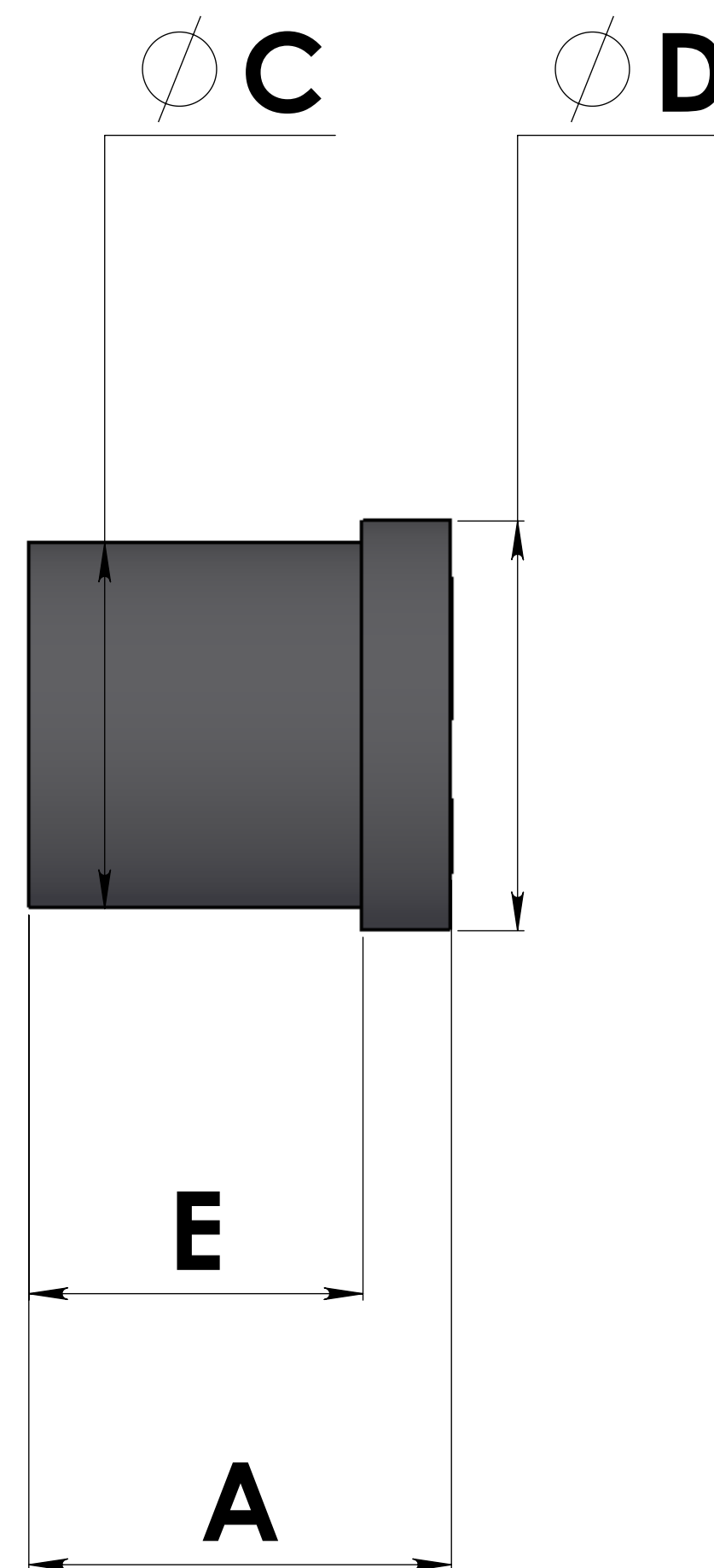
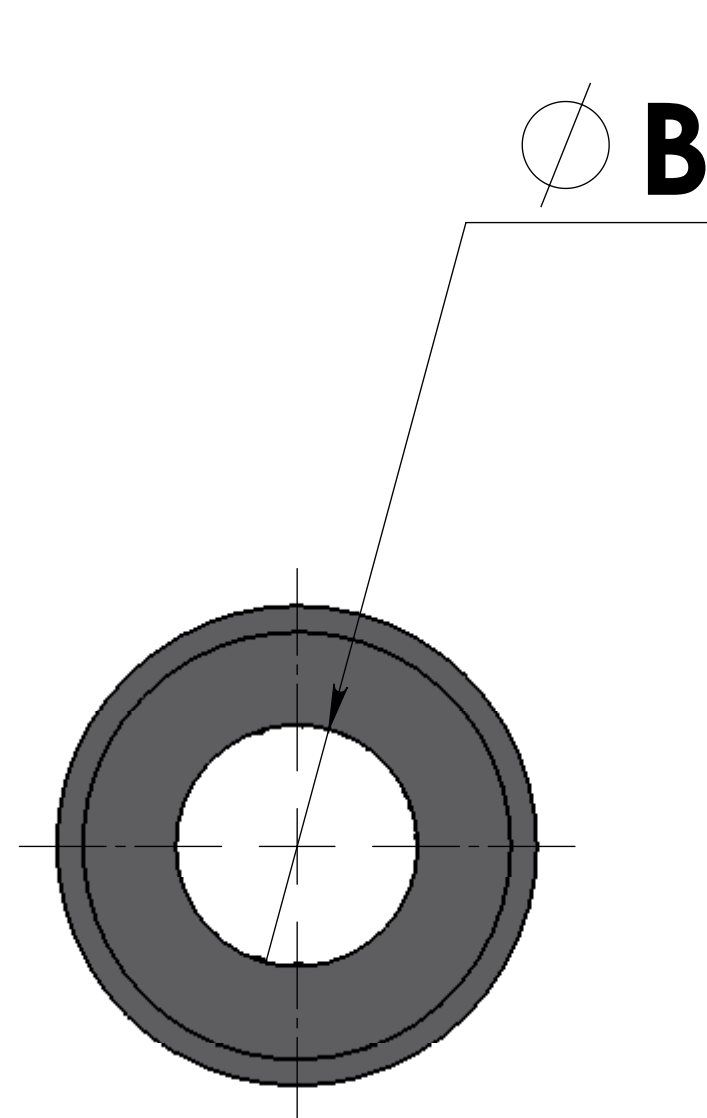
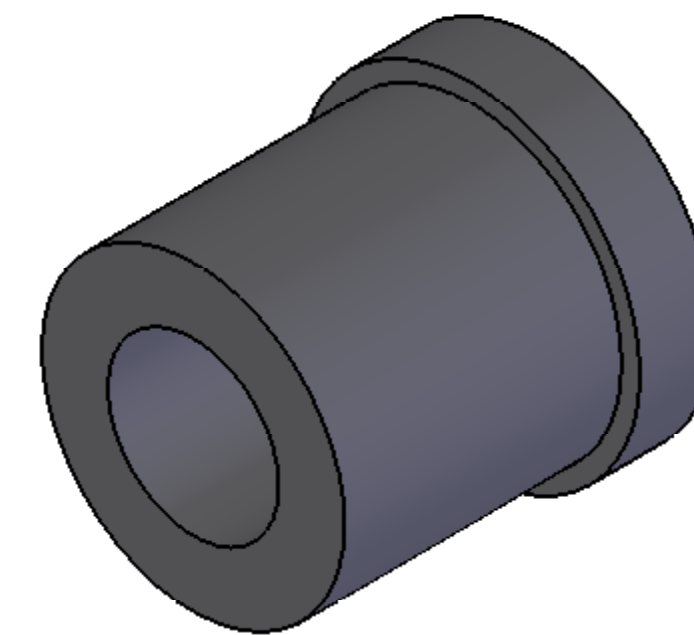


Date	
Customer #	
Business Name	
Contact	
Phone #	
Email	
Application	



Enter Dimension Values Below Using Three Decimal places	Example: 1.234
A	
B	
C	
D	
E	

PROPRIETARY AND CONFIDENTIAL
 THE INFORMATION CONTAINED IN THIS DRAWING IS THE SOLE PROPERTY OF RARE PARTS INC. ANY REPRODUCTION IN PART OR AS A WHOLE WITHOUT THE WRITTEN PERMISSION OF RARE PARTS INC. IS PROHIBITED.



THE ONE SOURCE FOR SUSPENSION PARTS.